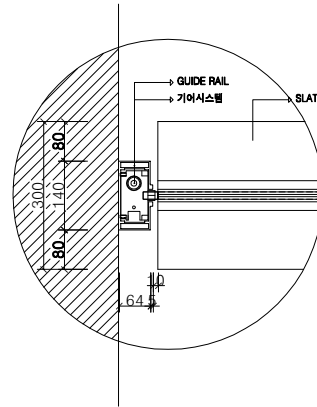
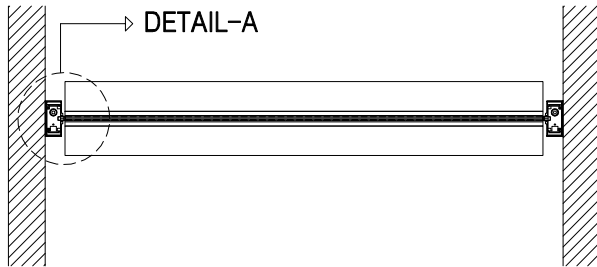


LOUVER 입면도
HORIZONTAL TYPE

LOUVER 단면도
HORIZONTAL TYPE



LOUVER 평면도
HORIZONTAL TYPE

LOUVER 상세도
HORIZONTAL TYPE

NAME OF PROJECT

NOTE

REVISION

CIVIL ENGINEERING

ARCHITECTURAL

STRUCTURAL

MECHANICAL

ELECTRICAL

APPROVED BY

DESIGN BY

DRAWN BY

CHECKED BY

DATE

SCALE

NAME OF DRAWING

DRAWING NO.

SHEET NO.

||| [주]미소차양시스템
MISO SOLAR SYSTEM

MISO SOLAR SYSTEM INC. TEL. 02-5015-0571
경기도 고양시 일산구 일평동 615-11